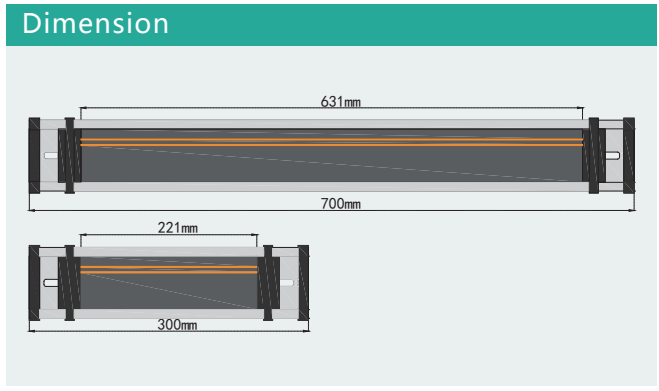


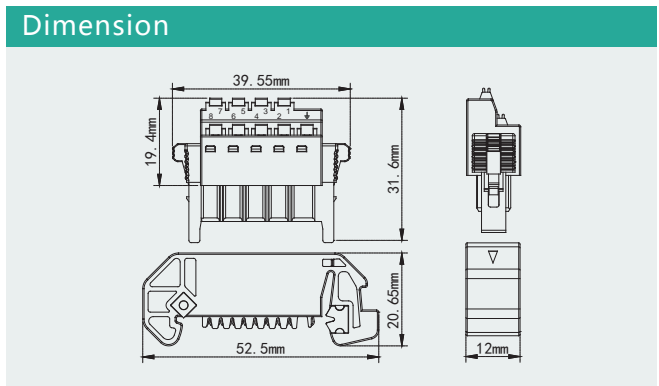
Bus-powered accessory:

- ① 35mm standard rail
- ② Terminal protection cover
- ③ I/O terminal base and terminal
- ④ Bus connector (Bus instrument standard accessories)
- ⑤ Bus base
- ⑥ Dust cover
- ⑦ Limiter
- ⑧ Fixed piece



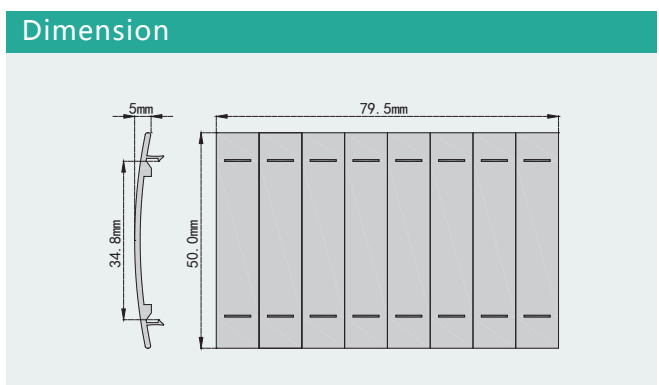
Bus rail power supply

Model	NPPB-DIN300	NPPB-DIN700
Rated voltage	24V DC	24V DC
Rated current	5 A	5 A
Rail length	300mm	700mm
Installation length	221mm	631mm
Terminal protection cover	2	2
Bus base	1	1



I/O terminal base

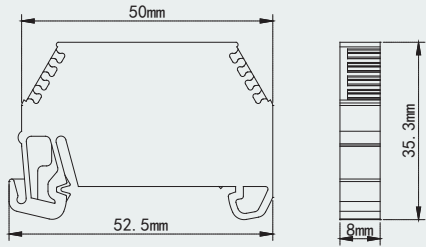
Model	NPPB-BS210
Power supply	1+, 3-
Description	Connect the rail BUS base, external power is introduced through the terminal block of the base. If a redundant power module is selected, this terminal can be left unselected.



Dust cover

Model	NPPB-BSC028
Description	Protect the exposed bus and split the combination as needed.

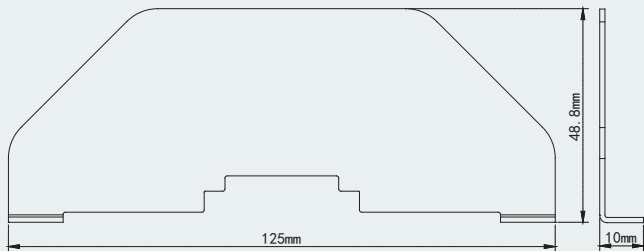
Dimension



Limiter

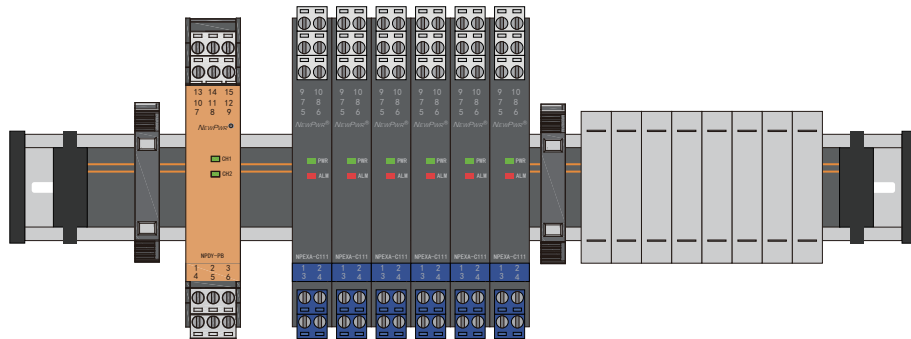
Model	NPPB-SS5
Description	For fixed position, standard 2 sets

Dimension

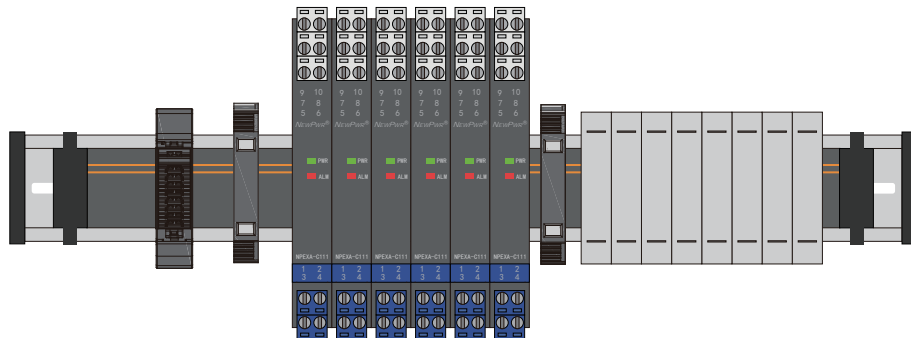


Fixed piece

Model	NPPB-TS35B
Description	Material: metal iron, used for rail load-bearing reinforcement, standard 2 pieces



Select redundant power supply module installation



Select the I/O terminal base to install