

Features

- A base part and a plug-in protection module
- MOV and Spark Gap technology
- Capable of protecting terminal equipment
- Status indicator
- 35 mm rail installation

Discription

According to IEC and GB standard , SPD can release high voltage pulse energy, and limit surge in a safety voltage level.

The complete device consists of a base module and plug-in protection modules and is ready for installation.

It is suitable for LPZ0A ~ LPZ0B ~ LPZ1 area and higher.

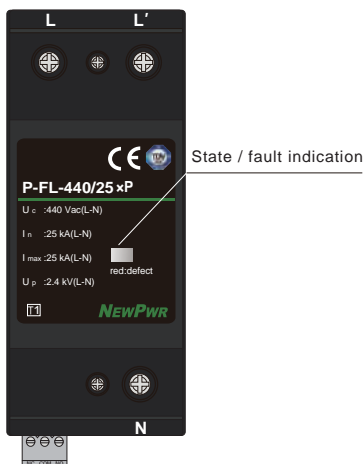
Parameter

Technology	Gap&MOV
Nominal voltage Un	400/690Vac
Max. continuous operating voltage Uc	440 Vac
Nominal discharge current In(8/20 μs)	25 kA
Lightning impulse current Iimp(10/350 μs)	25 kA
Follow current extinguishing capability (Ifi)	Infinite
Voltage protection level Up	2.4 kV
Voltage protection level(5kA) Up	2.0 kV
Cross-sectional area (min.)	1.5 mm ² stranded / flexible
Cross-sectional area (max.)	25 mm ² stranded / flexible
Response time Ta	≤ 100 ns
Max. overcurrent protection	≤ 250 A gL/gG
Remote communication function	P-FL-440/25xPR
Switching capacity	Max:125 VAC/1A,Min:5 V/1mA
Operating state / fault indication	Green / red
General parameters	
Operating temperature range	-40 °C ~ +85 °C
Instlltion	35 mm DIN
Enclosure dimensions (HxWxD)	90 mm × 36 mm × 66 mm
Location category	Indoor only
Enclosure material	Thermoplastic
Flame retardant grade(UL94)	V0
Protection degree	IP20
Standards	IEC 61643-11/ EN 61643-11
Power system	single-phase(TN、 TT) AC system

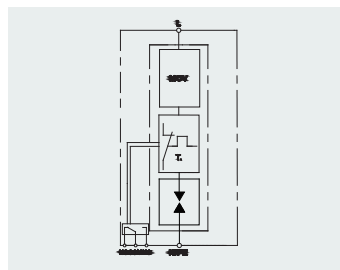


交流电源(T1)

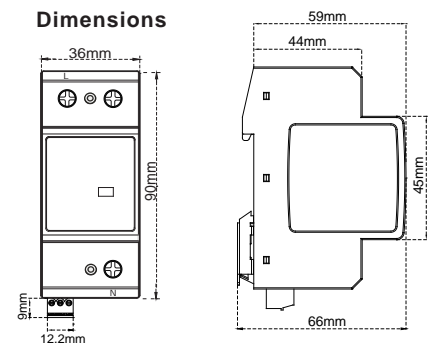
Graphics



Schematic



Dimensions



Application

