

Features

- RJ45 Port standard(1000MHz)
- Full shielding design
- Frequency width
- Small insertion loss
- 35 mm rail installation
- Switches, workstations, and all kinds of network communications.

Discription

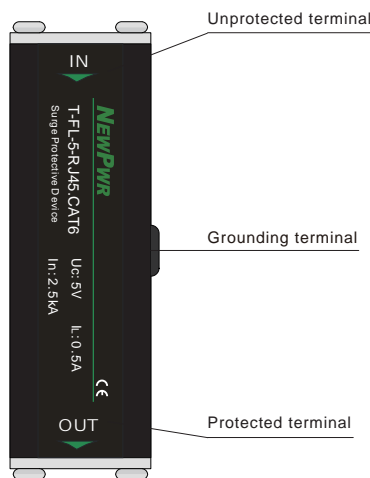
According to IEC and GB standard , SPD can release high voltage pulse energy, and limit surge in a safety voltage level. It is suitable for LPZ0<sub>B</sub> ~ LPZ1 area and higher.

Parameter

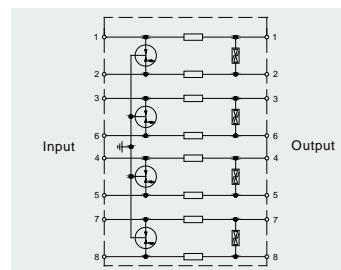
Nominal voltage Un	5 VDC
Max. continuous operating voltage Uc	5 VDC
Nominal current I <sub>L</sub>	500 mA
Lightning impulse current I <sub>imp</sub> (10/350 μs),D1	0.5 kA
Max. discharge current I <sub>max</sub> (8/20 μs),C2	20 kA
Nominal discharge current I <sub>n</sub> (8/20 μs),C2	2.5 kA
Voltage protection level U <sub>p</sub> (8/20 μs),C2	L-L≤35 V/ L-PE≤600 V
Bandwidth f <sub>G</sub>	250 MHz
Response time T <sub>a</sub>	<1 ns
General parameters	
Operating temperature	-40 °C ~ +80 °C
Installation	35 mm DIN
Interface mode	RJ45 (female/female)
Grounding conductor specification	1.5 mm <sup>2</sup> , length 250 mm
Material	Metal aluminum
Color	Black
Protection degree	IP20
Standards	IEC 61643-21/ GB/T 18802.21



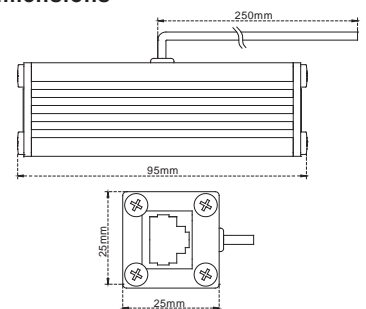
Graphics



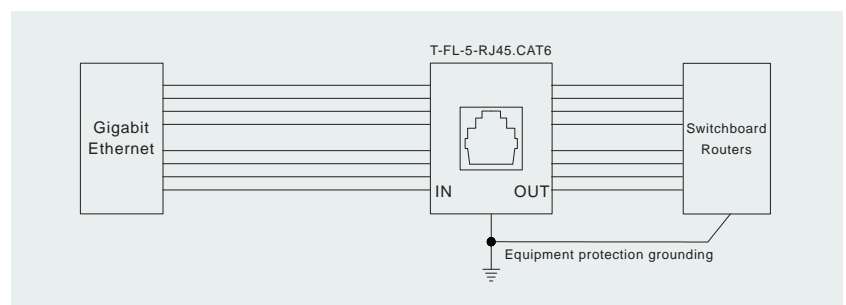
Schematic



Dimensions



Application



Communication SPD