

NPEXA-C41

Single input, single output

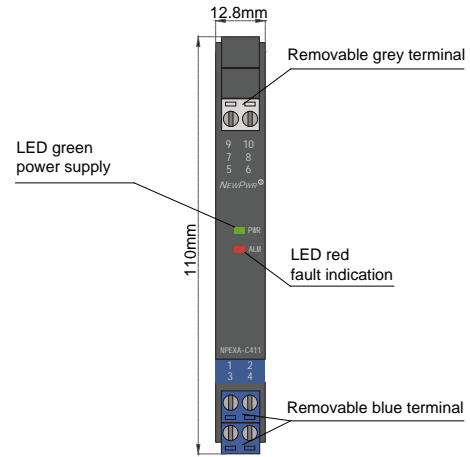
NPEXA-C411

Single input, double outputs

Input: 1 ~ 5 V

Output: 4 ~ 20 mA

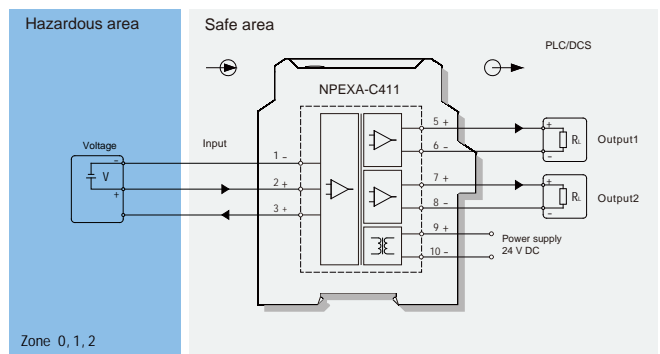
Analog input isolated barrier, it converts the voltage signals from a hazardous area into 4~20mA signals to a safe area by isolation. It needs an independent power supply. The input, output, and power supply are galvanically isolated from each other. Calibrate the apparatus or modify parameters by using a handheld programmer.



Parameters

Power supply:	18V DC ~ 60V DC (Reverse power protection)
Power dissipation:	1.5W (24V, single output) 2W (24V, double outputs)
Input signal:	1 ~ 5V
Input resistance:	≥ 1MΩ
Available voltage:	open-circuit voltage ≤ 26V voltage: ≥ 16V at 20mA
Output signal:	4 ~ 20mA
Load resistance:	RL ≤ 500Ω
Accuracy:	0.1%F.S.
Temperature drift:	30ppm/°C
Response time:	≤ 500ms
Electromagnetic compatibility:	IEC 61326-3-1
Dielectric strength:	≥ 3000V AC (intrinsically safe side / non-intrinsically safe side) ≥ 1500V AC (Power supply/non-intrinsically safe side)
Insulation resistance:	≥ 100MΩ (Input /Output/Power supply)
Operation temperature:	-20°C ~ +60°C
Storage temperature:	-40°C ~ +80°C
Dimension:	12.8mm (W) × 110mm (H) × 117mm (D)
Output states:	Whatever input fault status (except breakage or short circuit, the output is 0 V/mA), the output follows the input within measuring range. And the maximum value would not exceed the 110% of the upper limit of the measuring range (e.g. When the output signal type is 0 ~ 20 mA, the minimum output value may be 0 mA, the maximum output value would not exceed 22 mA)

Wiring diagram



Explosive-proof parameters

China National Quality Supervision and Test Centre for Explosion Protected Electrical Products (CQST)

Ex marking: [Ex ia Ga] IIC

Um: 250V

Certified parameters (Terminals 1, 2):

Uo=8.7V, Io=1mA, Po=3mW

II C: Co=5μF, Lo=700mH

II B: Co=35μF, Lo=700mH

II A: Co=700μF, Lo=700mH

Certified parameters (Terminals 1, 3):

Uo=28V, Io=93mA, Po=651mW

II C: Co=0.05μF, Lo=2.8mH

II B: Co=0.45μF, Lo=8.4mH

II A: Co=1.5μF, Lo=22.4mH

Model rules

NPEXA-C4

- PB: BUS powered
- Default: Terminals powered
- The second output signal^{note1}
- Default: null
- The first output signal^{note1}

note1: output signal

Number	Output signal
1	4~20mA
2	1~5V
3	0~10mA
4	0~5V
5	0~10V
6	0~20mA