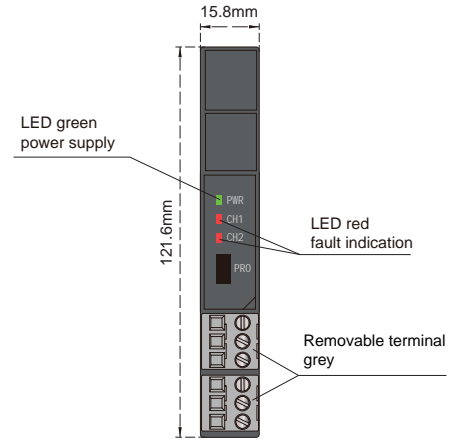


Potentiometer Transmitter

NPPT-H1D single input, single output
NPPT-H11D single input, double output
NPPT-HD11D double input, double output
 Input: potentiometer
 Output: 4 ~ 20 mA

This potentiometer transmitter converts the 3-wire potentiometer signals to current or voltage signals. The input, output, and power supply are galvanically isolated from each other. You can use handheld programmer to modify parameters or to calibrate the apparatus.



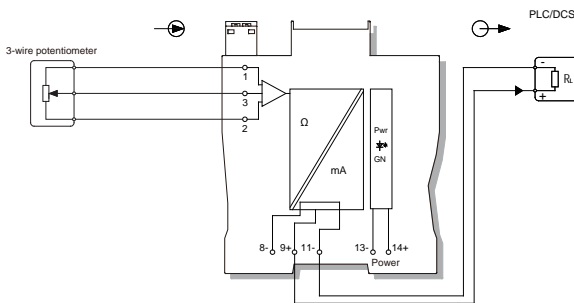
Technical data

Power supply: 18 V DC~32 V DC (Reverse power protection)
Power dissipation: 1.0 W (24V DC, single output)
 1.5 W (24V DC, double output)
Input signal: 3-wire potentiometer: 0 Ω ~ 10 kΩ
Output signal: Current: 0/4 ~ 20mA; 0 ~ 10mA
 Voltage: 0/1 ~ 5V; 0 ~ 10V
Load resistance: 0/4 ~ 20mA: $R_L \leq 500\Omega$; 0 ~ 10mA: $R_L \leq 1k\Omega$
 0/1 ~ 5V: $R_L \geq 1M\Omega$; 0 ~ 10V: $R_L \geq 2M\Omega$
Accuracy: $\pm 0.1\%F.S.$
Temperature drift: 0.01%F.S./°C
Response time: $\leq 1s$
Electromagnetic compatibility: IEC 61326-3-1
Dielectric strength: ≥ 1500 V AC (Input/Output)
 ≥ 500 V AC (Power supply/Output)
Insulation resistance: ≥ 100 MΩ (Input /Output/Power supply)
Operation temperature: -20°C ~ +60°C
Storage temperature: -40°C ~ +80°C
Dimension: 15.8 mm (W) x 121.6 mm (H) x 104.8 mm (D)
Output states: Whatever input fault status (except breakage), the output follows the input within measuring range. And the maximum value would not exceed the 110% of the upper limit of the measuring range (e.g. When the output signal type is 0 ~ 20 mA, the minimum output value may be 0 mA, the maximum output value would not exceed 22 mA)

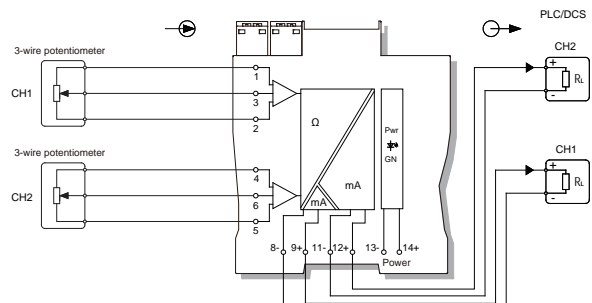
Model rules

Model		Description	
NPPT-H	<input type="checkbox"/> <input type="checkbox"/> <input type="checkbox"/> <input type="checkbox"/>	Potentiometer transmitter	
Channel	<input type="checkbox"/> <input type="checkbox"/> <input type="checkbox"/> <input type="checkbox"/>	Single as default	
	<input type="checkbox"/> D <input type="checkbox"/> <input type="checkbox"/> <input type="checkbox"/>	Double channel	
Output1	<input type="checkbox"/> <input type="checkbox"/> <input type="checkbox"/> <input type="checkbox"/> <input type="checkbox"/> <input type="checkbox"/>	1	4~20mA
	<input type="checkbox"/> <input type="checkbox"/> <input type="checkbox"/> <input type="checkbox"/> <input type="checkbox"/> <input type="checkbox"/>	2	1~5V
	<input type="checkbox"/> <input type="checkbox"/> <input type="checkbox"/> <input type="checkbox"/> <input type="checkbox"/> <input type="checkbox"/>	3	0~10mA
	<input type="checkbox"/> <input type="checkbox"/> <input type="checkbox"/> <input type="checkbox"/> <input type="checkbox"/> <input type="checkbox"/>	4	0~5V
	<input type="checkbox"/> <input type="checkbox"/> <input type="checkbox"/> <input type="checkbox"/> <input type="checkbox"/> <input type="checkbox"/>	5	0~10V
	<input type="checkbox"/> <input type="checkbox"/> <input type="checkbox"/> <input type="checkbox"/> <input type="checkbox"/> <input type="checkbox"/>	6	0~20mA
Output2	<input type="checkbox"/> <input type="checkbox"/> <input type="checkbox"/> <input type="checkbox"/> <input type="checkbox"/> <input type="checkbox"/>	None as default	
	<input type="checkbox"/> <input type="checkbox"/> <input type="checkbox"/> <input type="checkbox"/> <input type="checkbox"/> <input type="checkbox"/>	1	4~20mA
	<input type="checkbox"/> <input type="checkbox"/> <input type="checkbox"/> <input type="checkbox"/> <input type="checkbox"/> <input type="checkbox"/>	2	1~5V
	<input type="checkbox"/> <input type="checkbox"/> <input type="checkbox"/> <input type="checkbox"/> <input type="checkbox"/> <input type="checkbox"/>	3	0~10mA
	<input type="checkbox"/> <input type="checkbox"/> <input type="checkbox"/> <input type="checkbox"/> <input type="checkbox"/> <input type="checkbox"/>	4	0~5V
	<input type="checkbox"/> <input type="checkbox"/> <input type="checkbox"/> <input type="checkbox"/> <input type="checkbox"/> <input type="checkbox"/>	5	0~10V
<input type="checkbox"/> <input type="checkbox"/> <input type="checkbox"/> <input type="checkbox"/> <input type="checkbox"/> <input type="checkbox"/>	6	0~20mA	
Power supply	<input type="checkbox"/> <input type="checkbox"/> <input type="checkbox"/> <input type="checkbox"/> <input type="checkbox"/> <input type="checkbox"/>	D	24V DC

Wiring diagram



24V DC, single input, single current / voltage output



24V DC, double input, double current / voltage output