

## Features

- A base part and a plug-in protection module
- Patented large arc extinguisher technology
- Module unlock button, anti-vibration
- Status indicator, remote alarm
- 48VDC Power System
- 35 mm rail installation

## Discription

It can use for 48VDC power system, protected terminal equipment, limit surge and meet to a safety voltage. comprising a base part and a plug-in protection module.

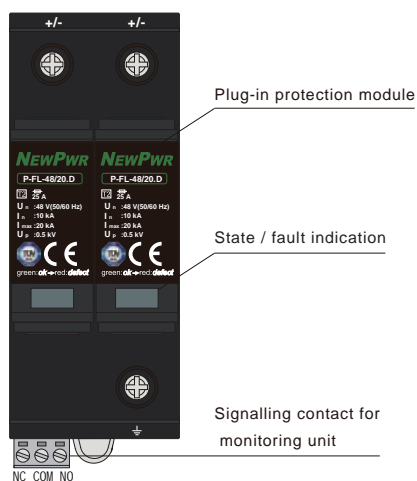
It is suitable for LPZ1 ~ LPZ2 area and higher.

## Parameter

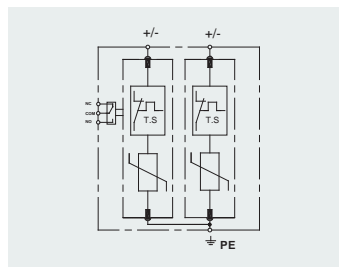
Technology	MOV
Nominal voltage $U_n$	48 Vdc
Max. continuous operating voltage $U_c$	60 Vdc
Nominal discharge current $I_n(8/20 \mu s)$	10 kA
Max. discharge current $I_{max}(8/20 \mu s)$	20 kA
Voltage protection level $U_p$	0.5 kV
Voltage protection level(5kA) $U_p$	0.3 kV
Cross-sectional area (min.)	1.5 mm <sup>2</sup> stranded / flexible
Cross-sectional area (max.)	25 mm <sup>2</sup> stranded / flexible
Response time $T_a$	$\leq 25$ ns
Max. overcurrent protection	$\leq 25$ A gL/gG or SCB(P-SC-385/25x2P)
Remote communication function	P-FL-48/20.DR
Switching capacity	125 VAC/1A, 125 VDC/0.2A
Operating state / fault indication	Green / red
General parameters	
Operating temperature range	-40 °C ~ +80 °C
Installation	35 mm DIN
Enclosure dimensions (HxWxD)	90 mm x 36 mm x 66 mm
Location category	Indoor only
Enclosure material	Thermoplastic
Flame retardant grade(UL94)	V0
Protection degree	IP20
Standards	IEC 61643-11/ EN 61643-11



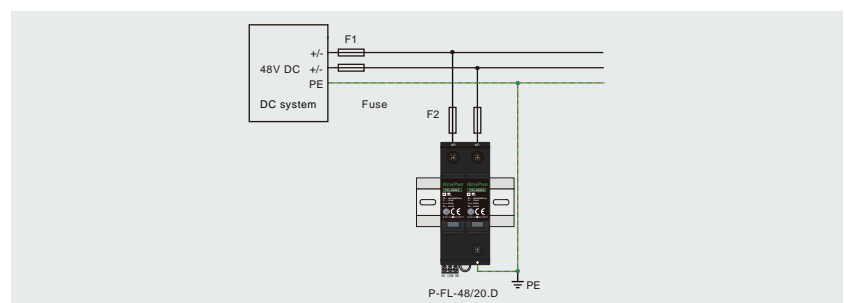
## Graphics



## Schematic



## Application



## Dimensions

