

**Features**

- A base part and a plug-in protection module
- MOV and Spark Gap technology
- Capable of protecting terminal equipment
- Status indicator
- 35 mm rail installation

**Discription**

According to IEC and GB standard , SPD can release high voltage pulse energy, and limit surge in a safety voltage level.

The complete device consists of a base module and plug-in protection modules and is ready for installation.

It is suitable for LPZ0A ~ LPZ0B ~ LPZ1 area and higher.

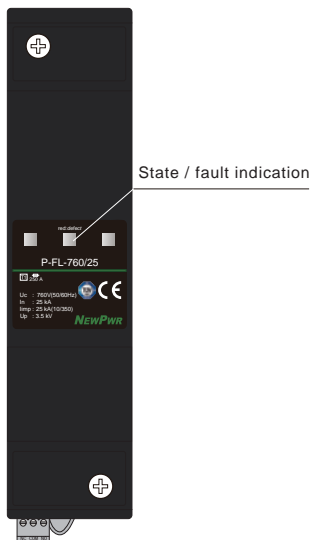
**Parameter**

Technology	Gap&MOV
Nominal voltage Un	400/690Vac
Max. continuous operating voltage Uc	760 Vac
Nominal discharge current In(8/20 μs)	25 kA
Lightning impulse current Iimp(10/350 μs)	25 kA
Follow current extinguishing capability (Ifi)	Infinite
Voltage protection level Up	3.5 kV
Voltage protection level(5kA) Up	2.5 kV
Cross-sectional area (min.)	1.5 mm <sup>2</sup> stranded / flexible
Cross-sectional area (max.)	25 mm <sup>2</sup> stranded / flexible
Response time Ta	≤ 100 ns
Max. overcurrent protection	≤ 250 A gL/gG
Remote communication function	P-FL-760/25xPR
Switching capacity	Max: 125 VAC/1A, Min: 5 V/0.5mA
Operating state / fault indication	Black/ red
<b>General parameters</b>	
Operating temperature range	-40 °C ~ +80 °C
Installation	35 mm DIN
Enclosure dimensions (HxWxD)	150 mm x 36 mm x 72 mm
Location category	Indoor only
Enclosure material	Thermoplastic
Flame retardant grade(UL94)	V0
Protection degree	IP20
Standards	IEC 61643-11/ EN 61643-11
Power system	single-phase(TN、 TT) AC system

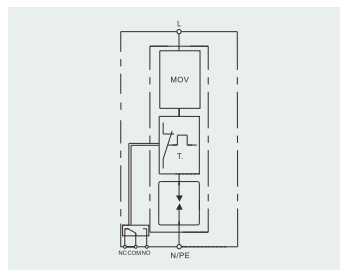
AC system (T1)



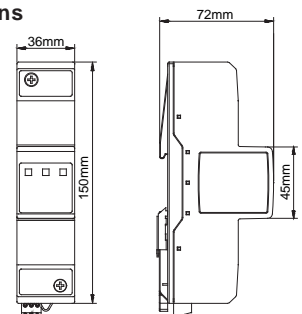
**Graphics**



**Schematic**



**Dimensions**



**Application**

